

Broil King®



9822-82
9822-83



9822-62
9822-63



9822-52
9822-53

Onward
MANUFACTURING COMPANY

SINCE 1906

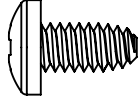

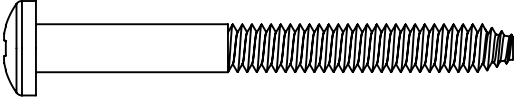
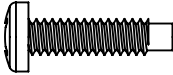
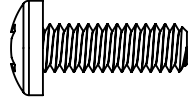
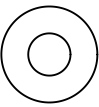
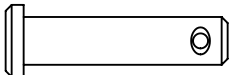
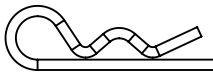
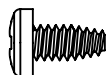
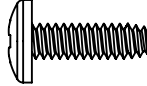
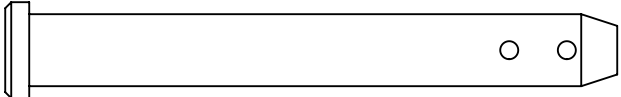

1000 EAST MARKET STREET
HUNTINGTON, INDIANA, 46750, USA

50084-C65EU Rev F 11/17



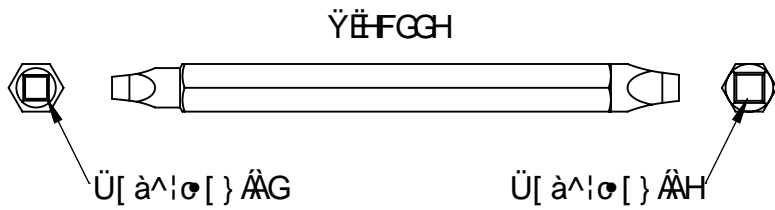
POËÛÖY OEÛÒÁÐ ÔŠWÖÖÖÁ



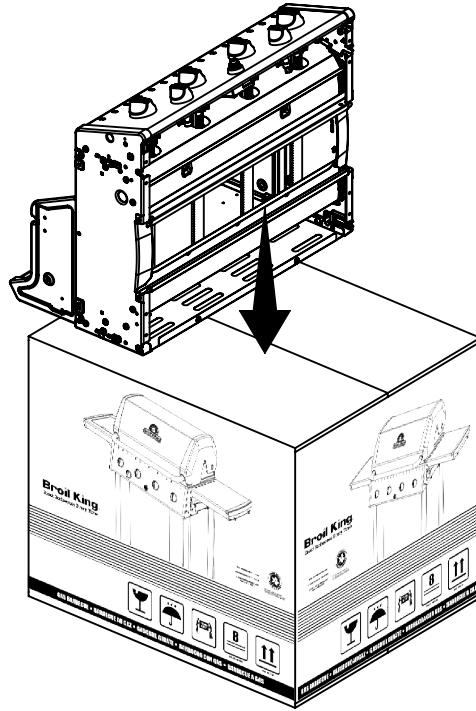
YËGÎÍ 	YËFĪ JH 	
YËFĪ Î G 		
YËGJH€ 	YËGHF€ 	YËGĪ € 
ÛFGHÍ 	ÛFGHH 	YËGJH€ 
ÛHÍ €J 	FEG €ĪH 	
GEEÉÍ EEE€ 		



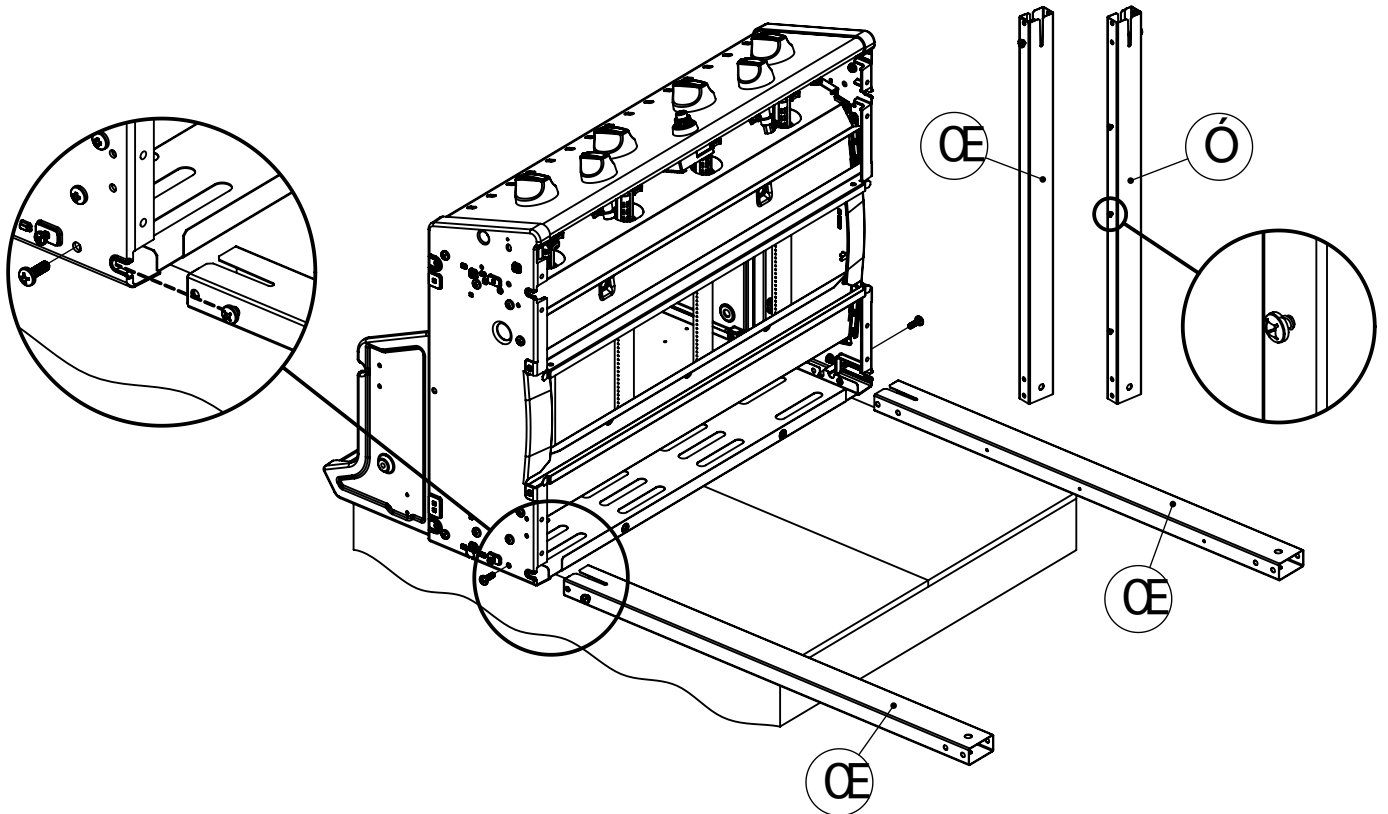
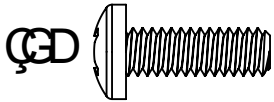
VUUŠÛÄÛÒÛWÖÛÖÖ

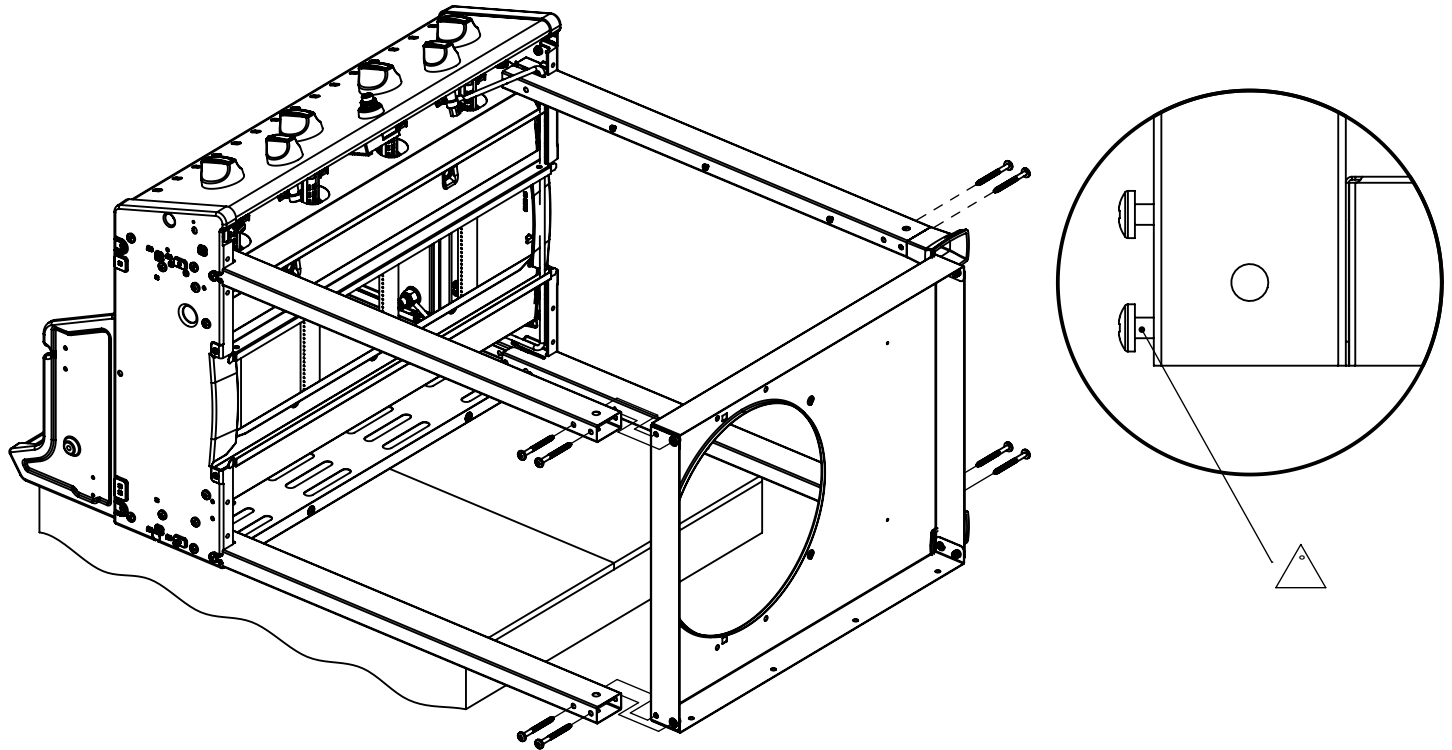
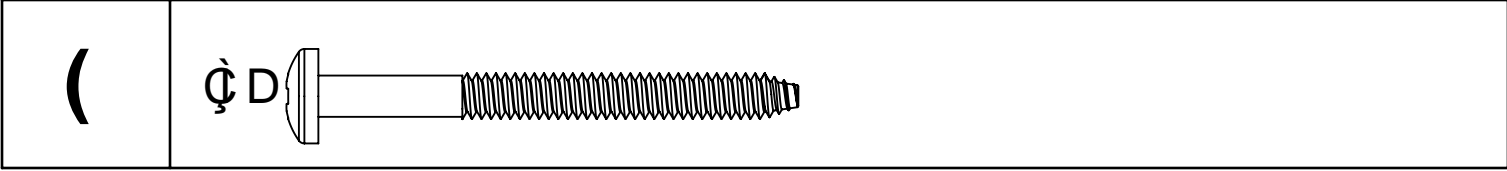
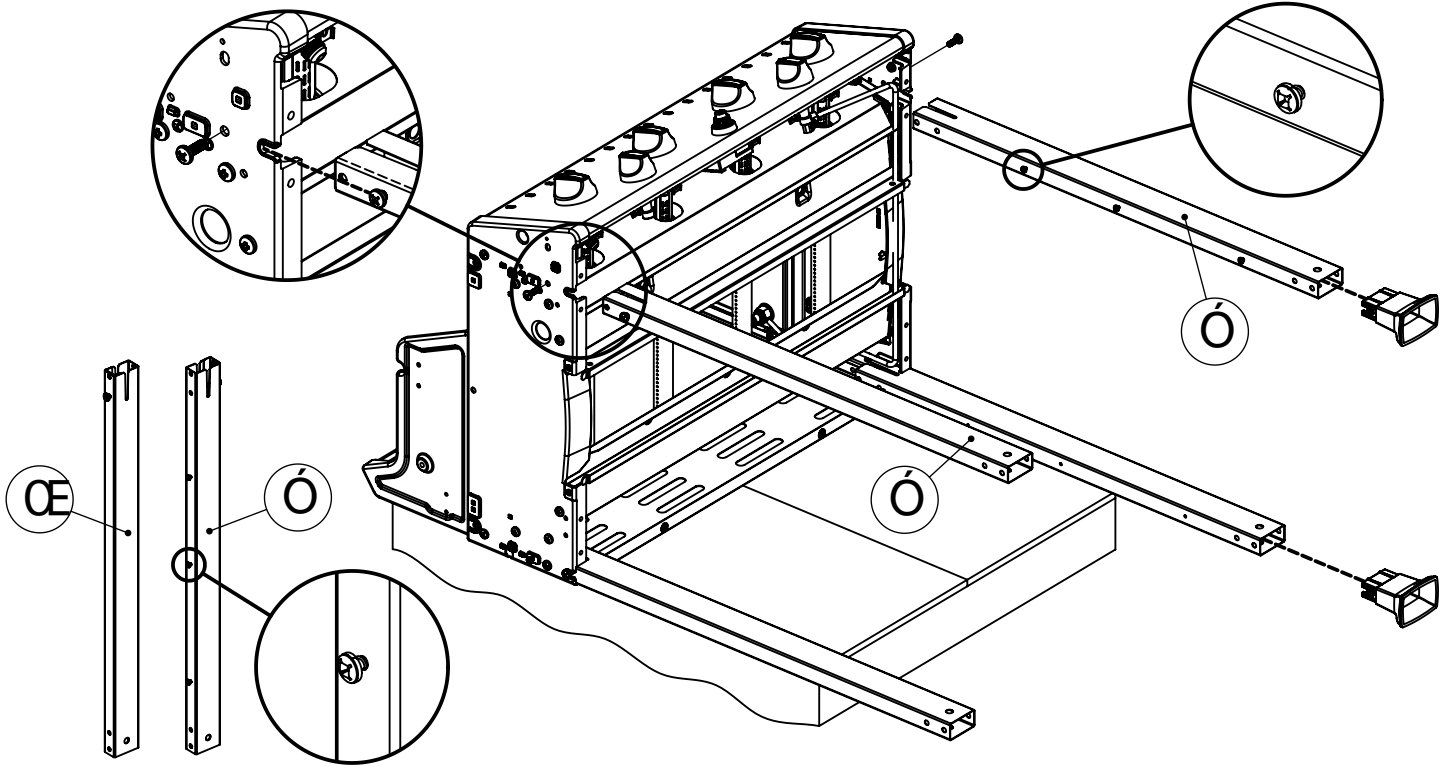
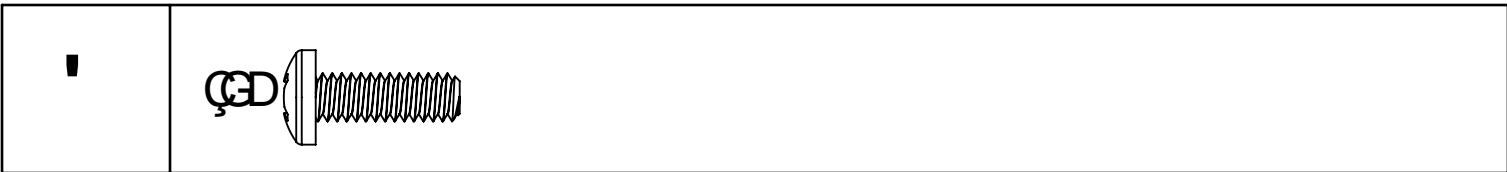


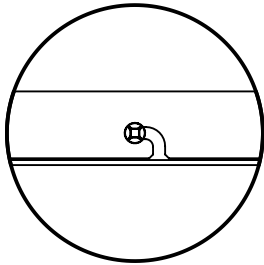
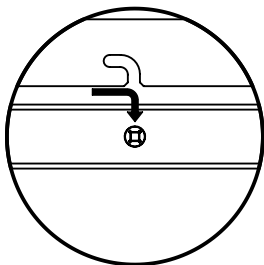
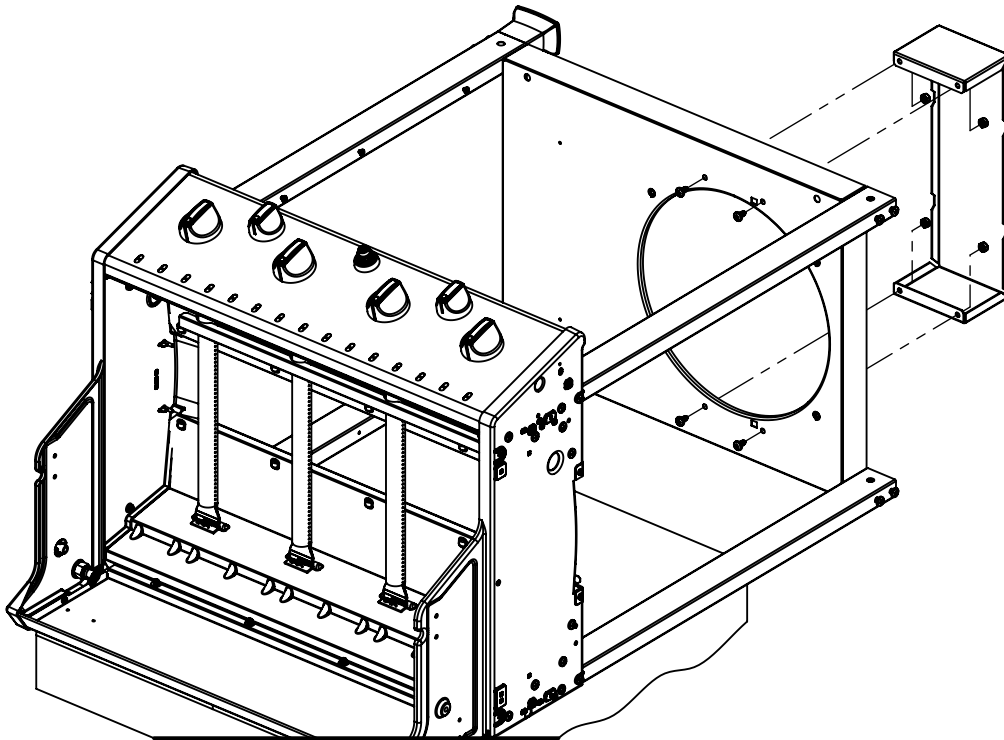
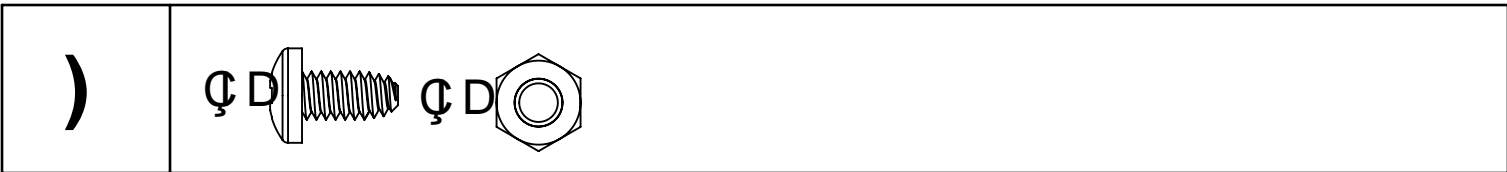
%



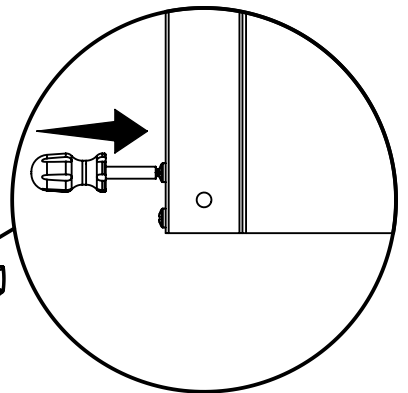
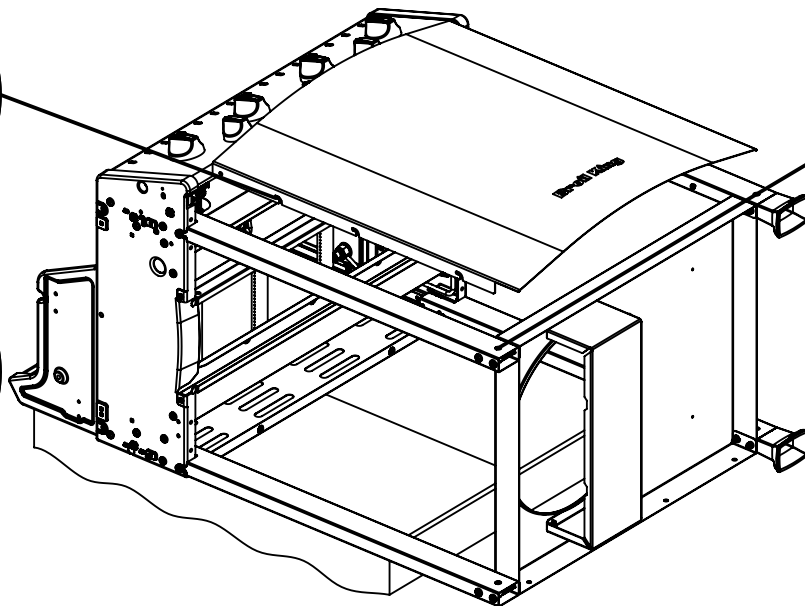
&



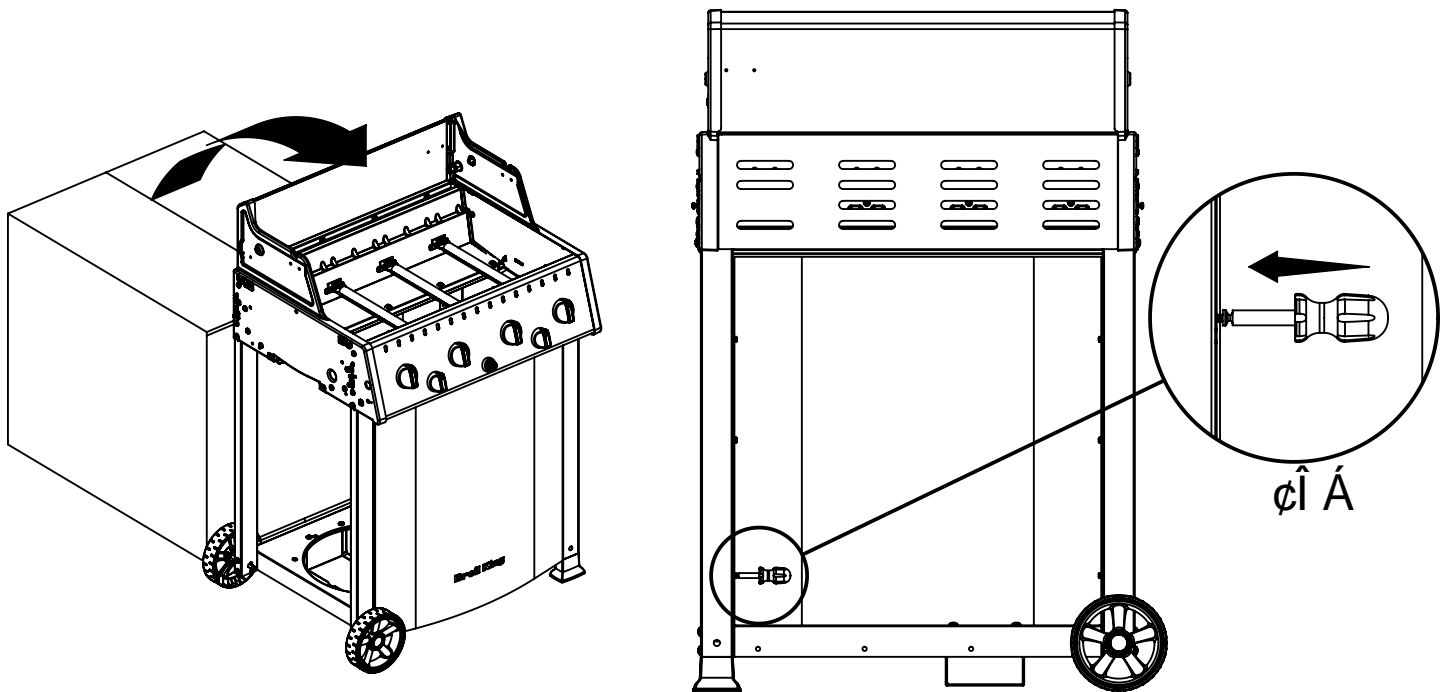
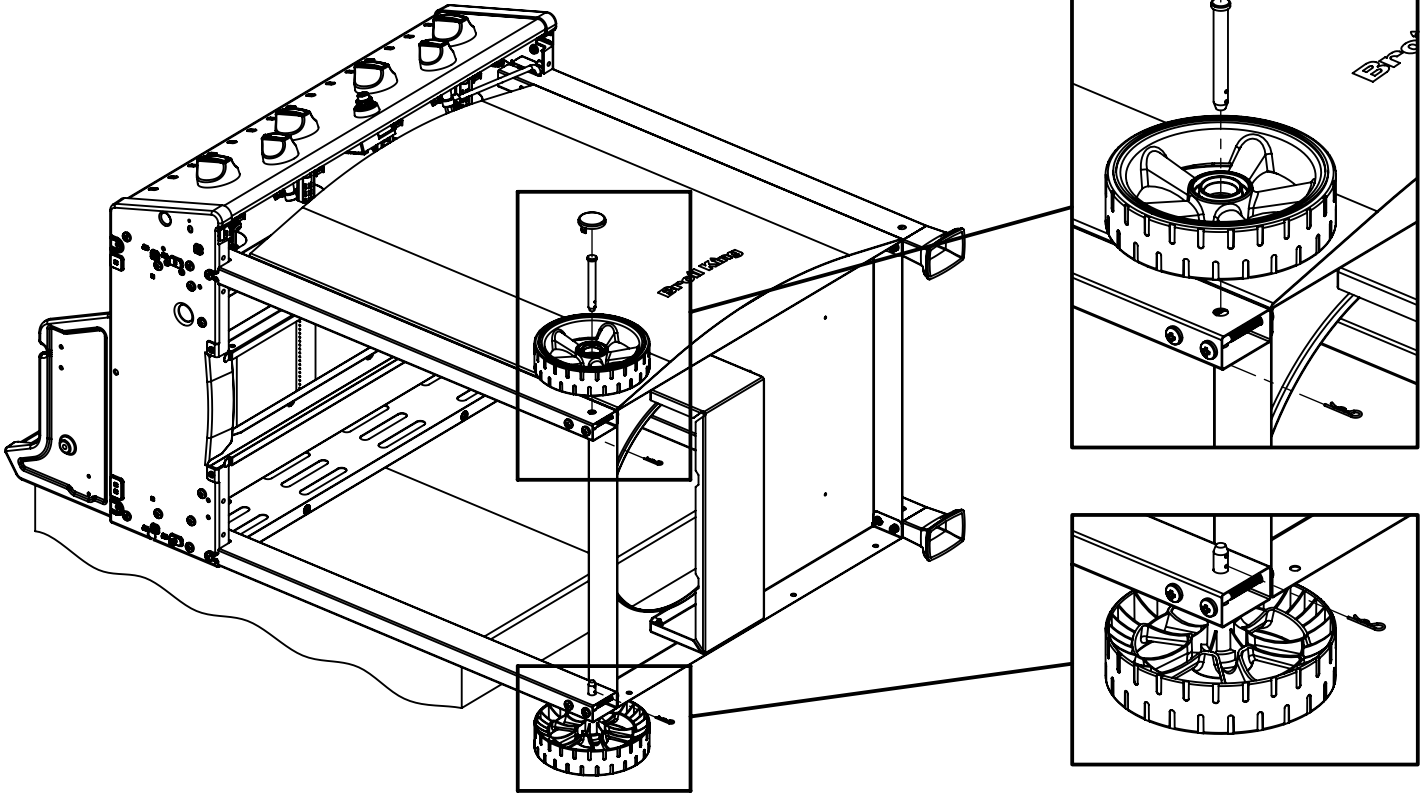
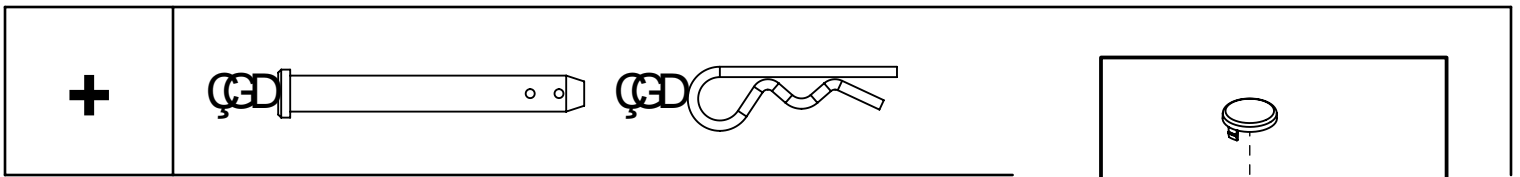


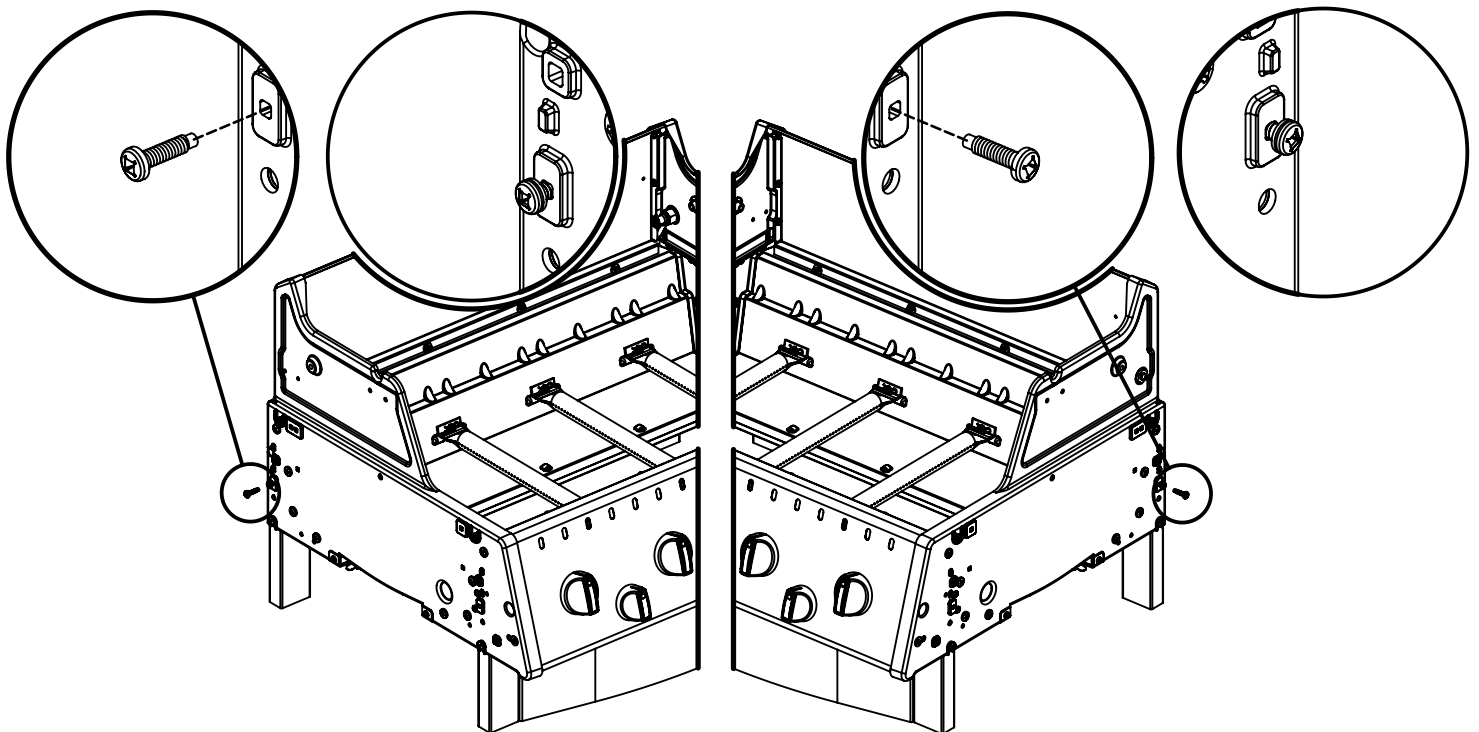
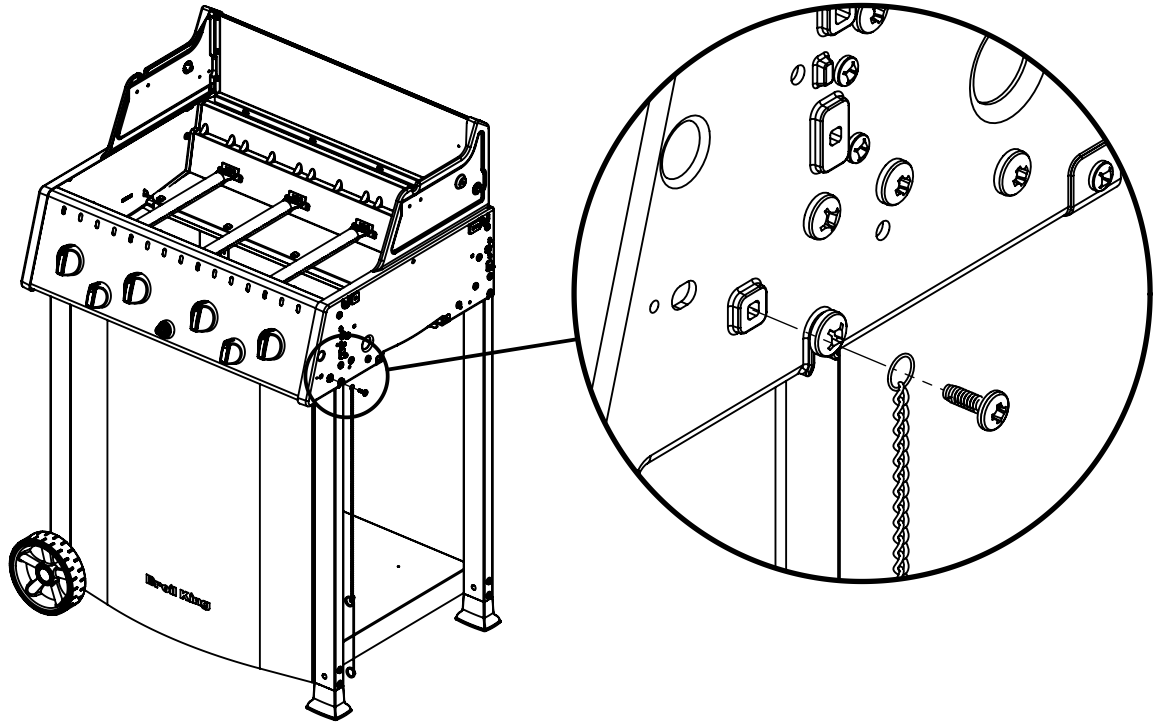
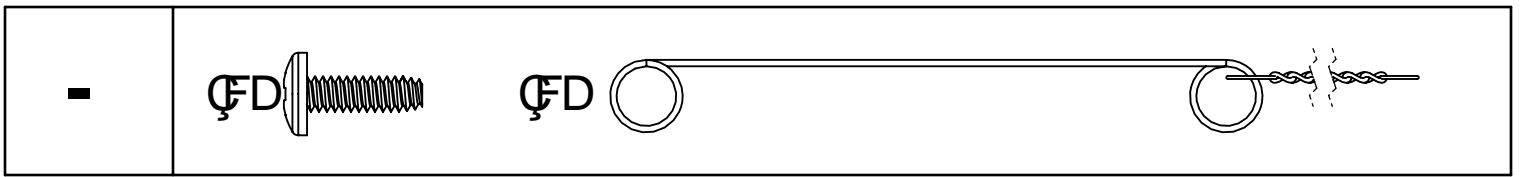


çî

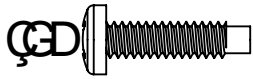


çî

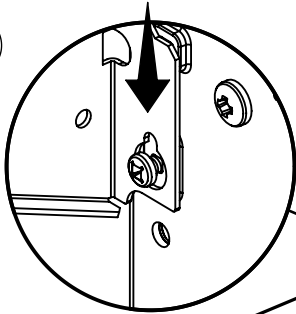




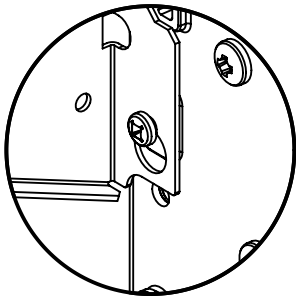
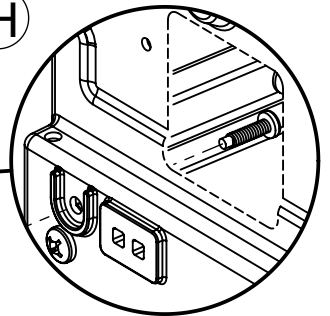
0/0



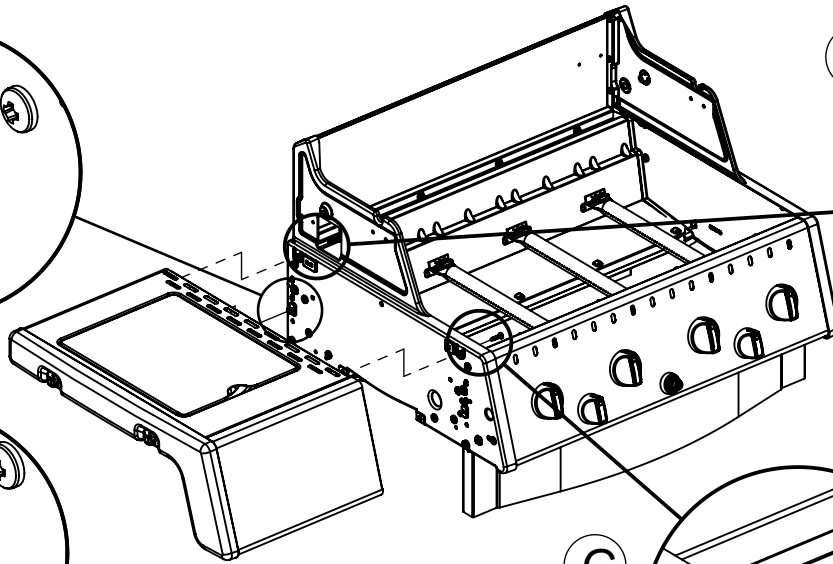
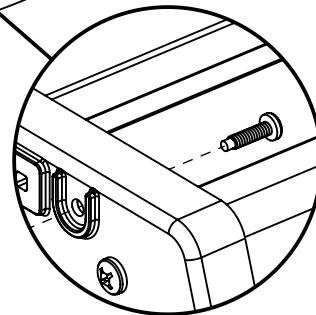
F



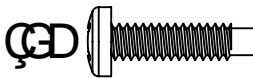
H



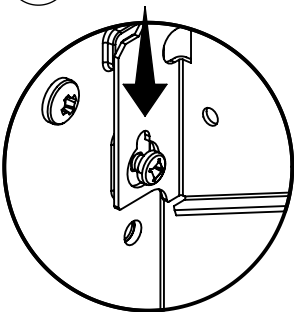
G



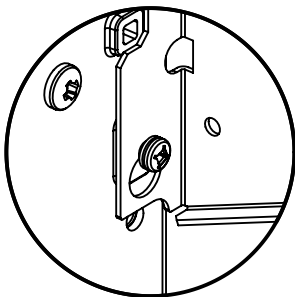
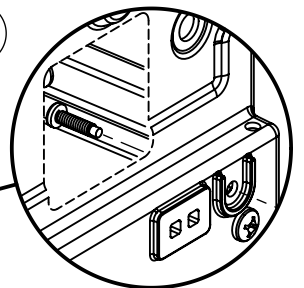
0/8



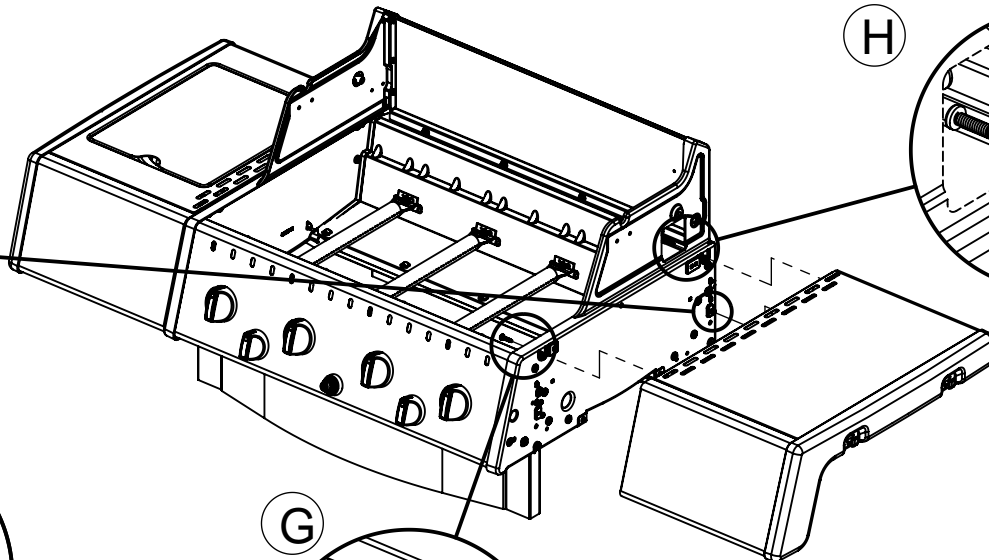
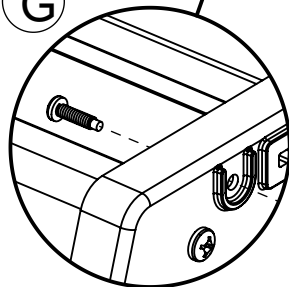
F

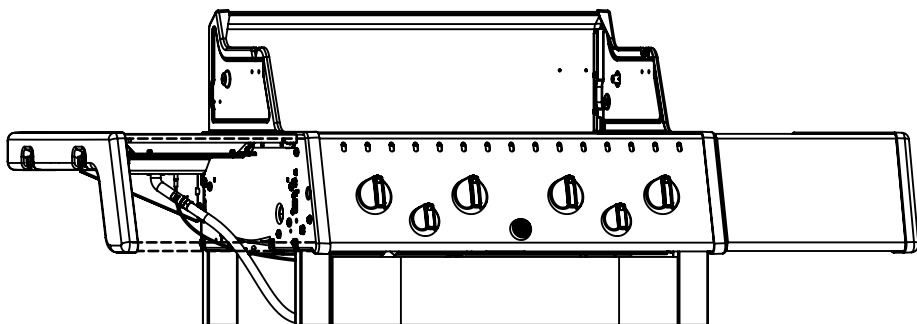
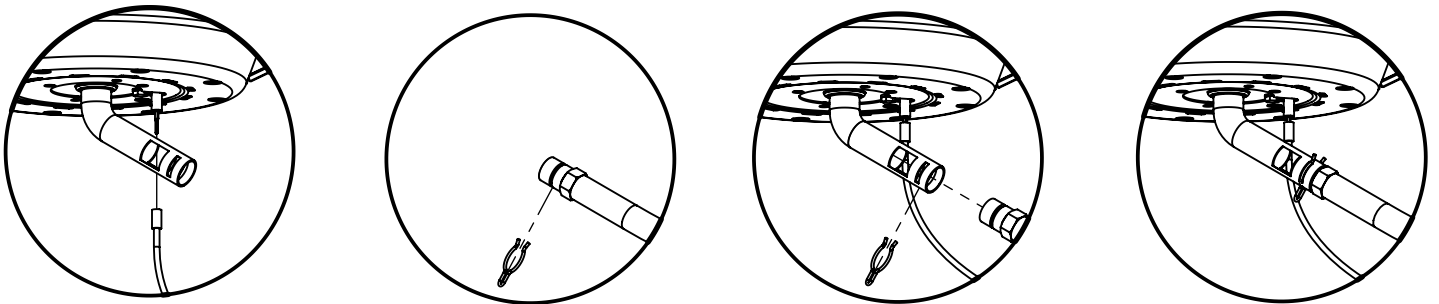
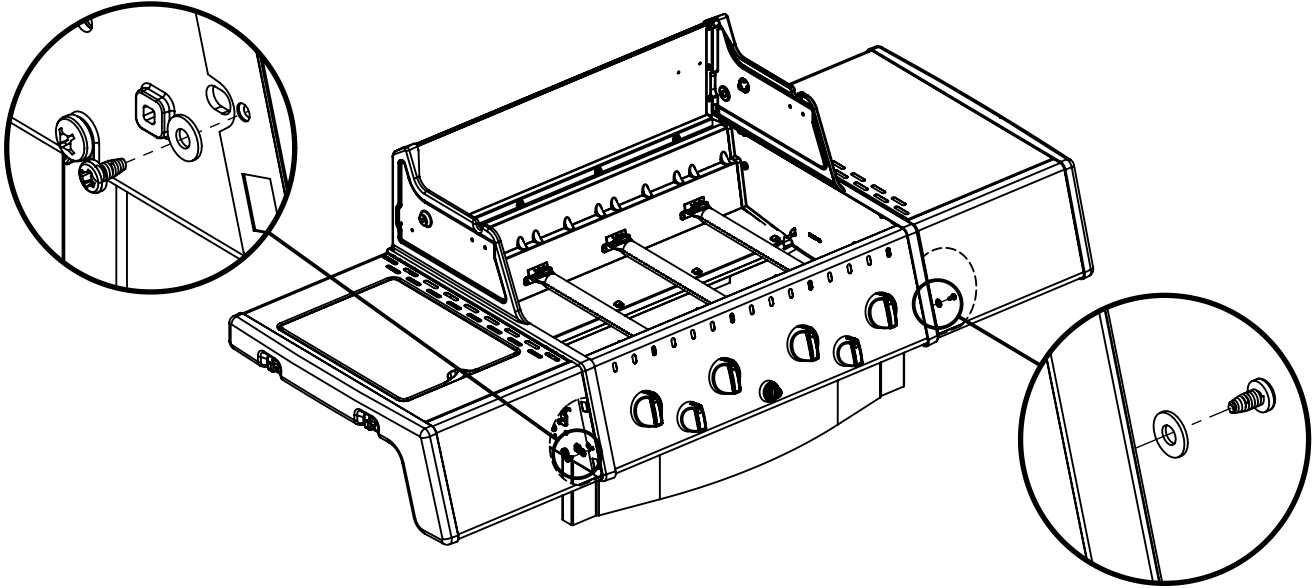
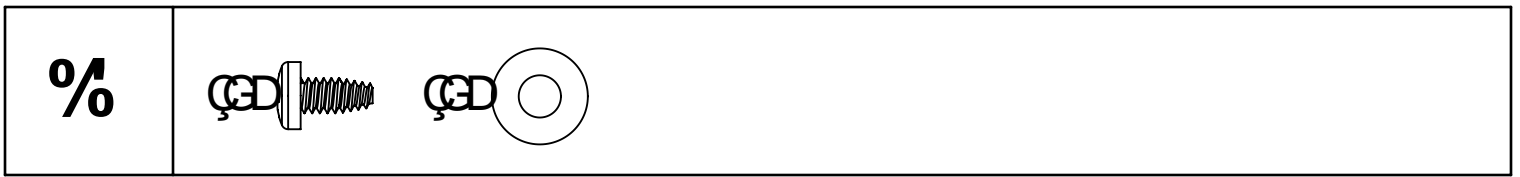


H

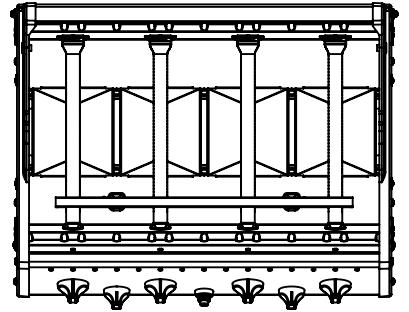
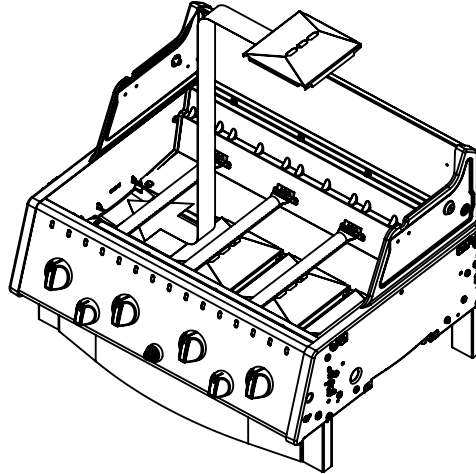
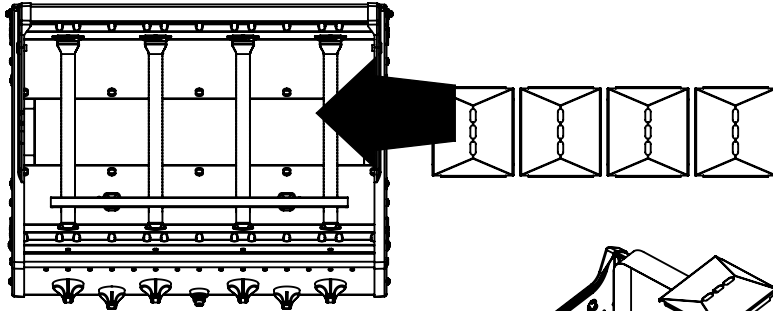


G

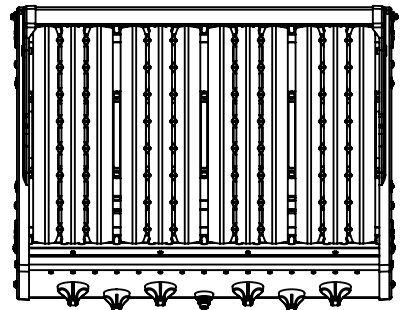
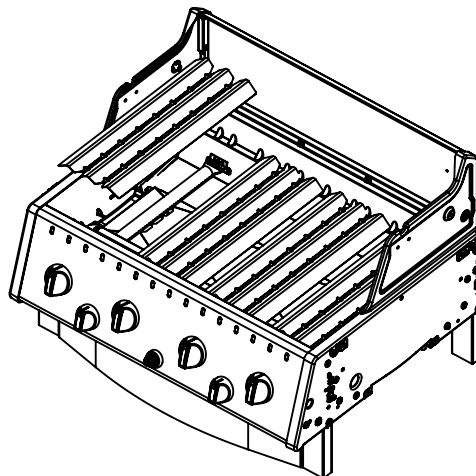
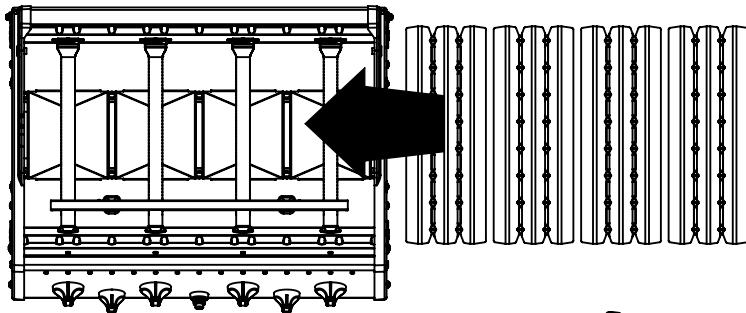


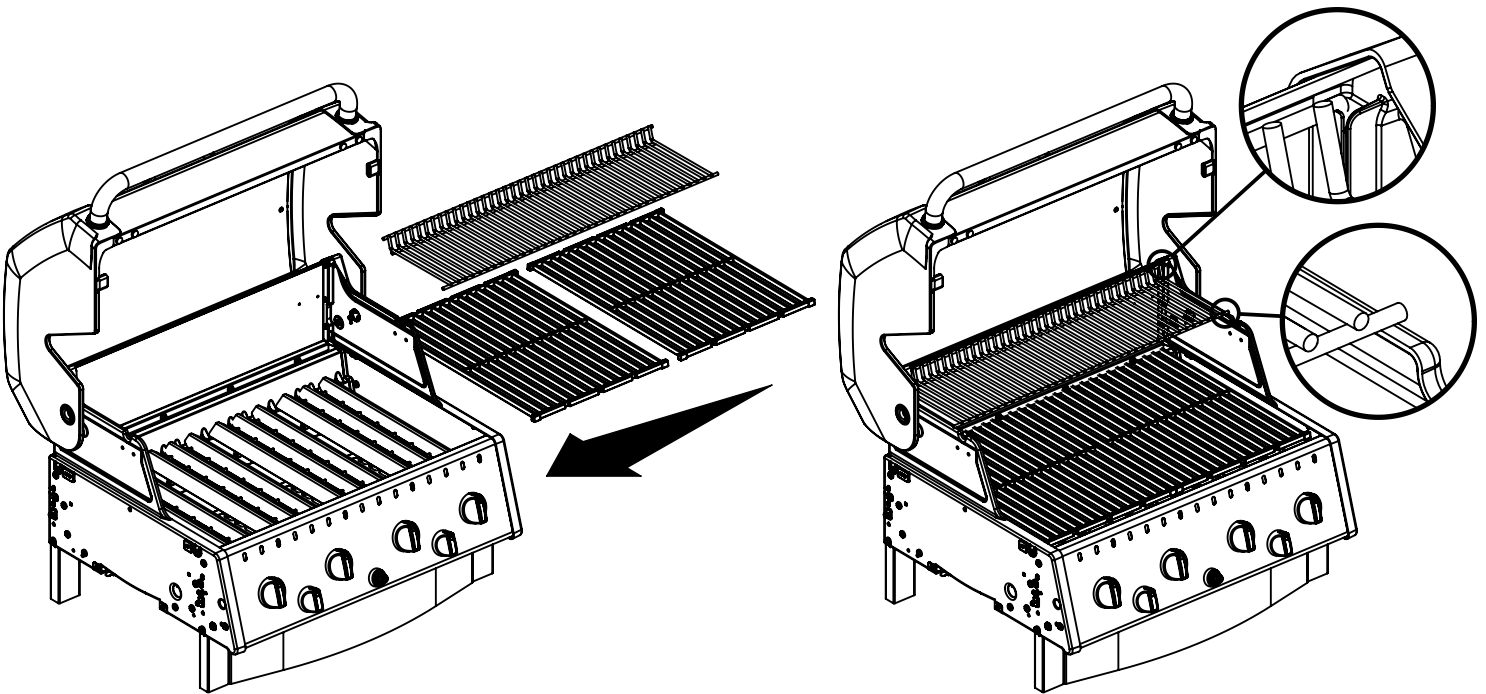
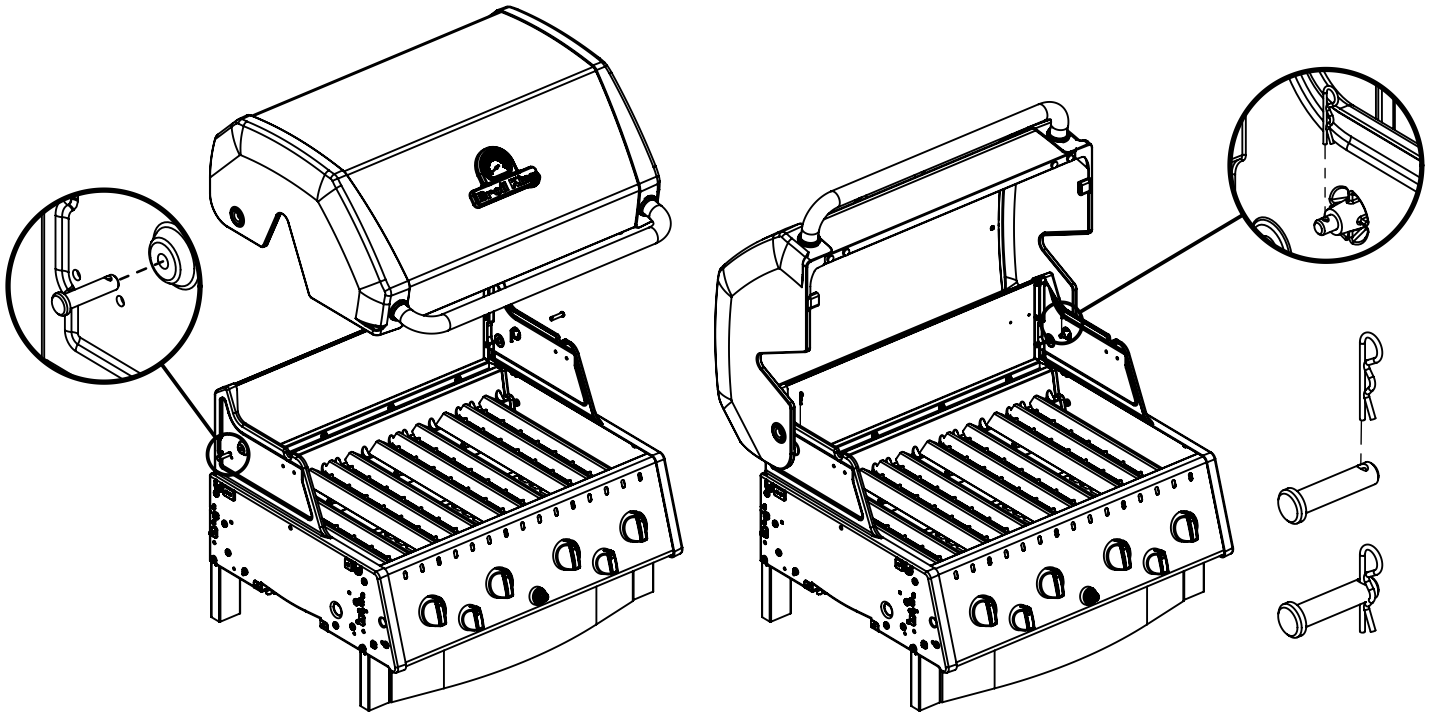
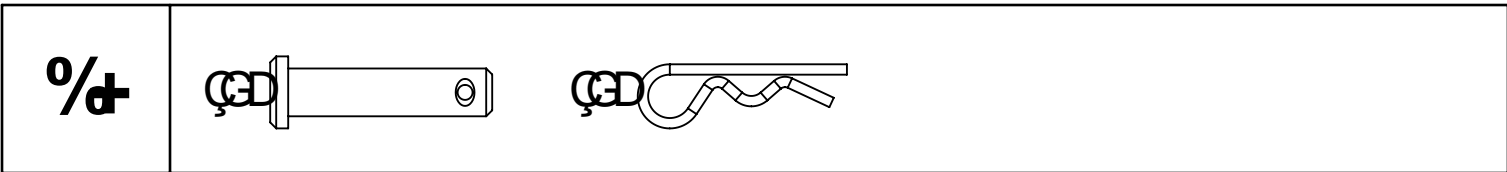


0/4

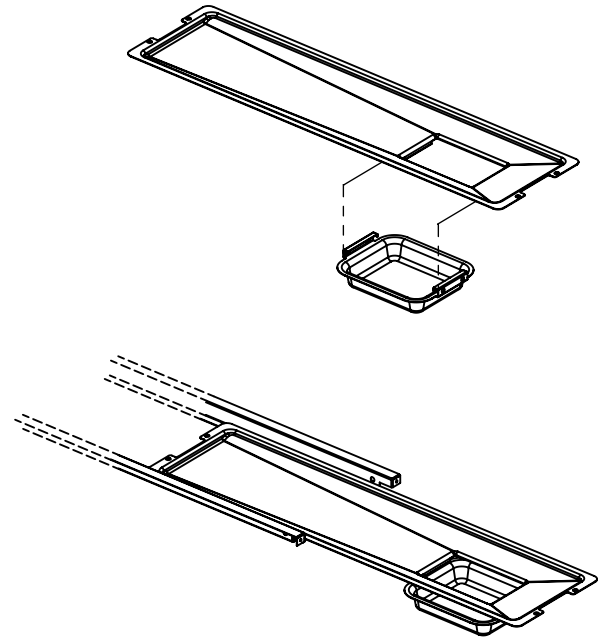
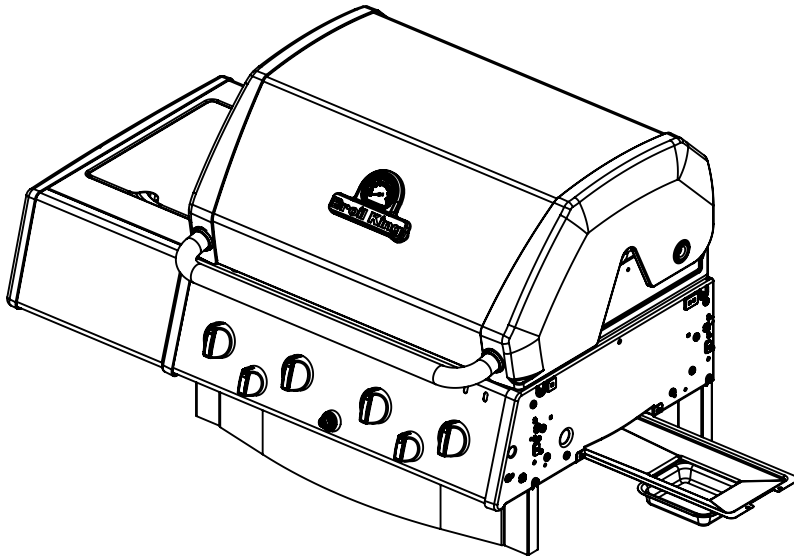


0/*

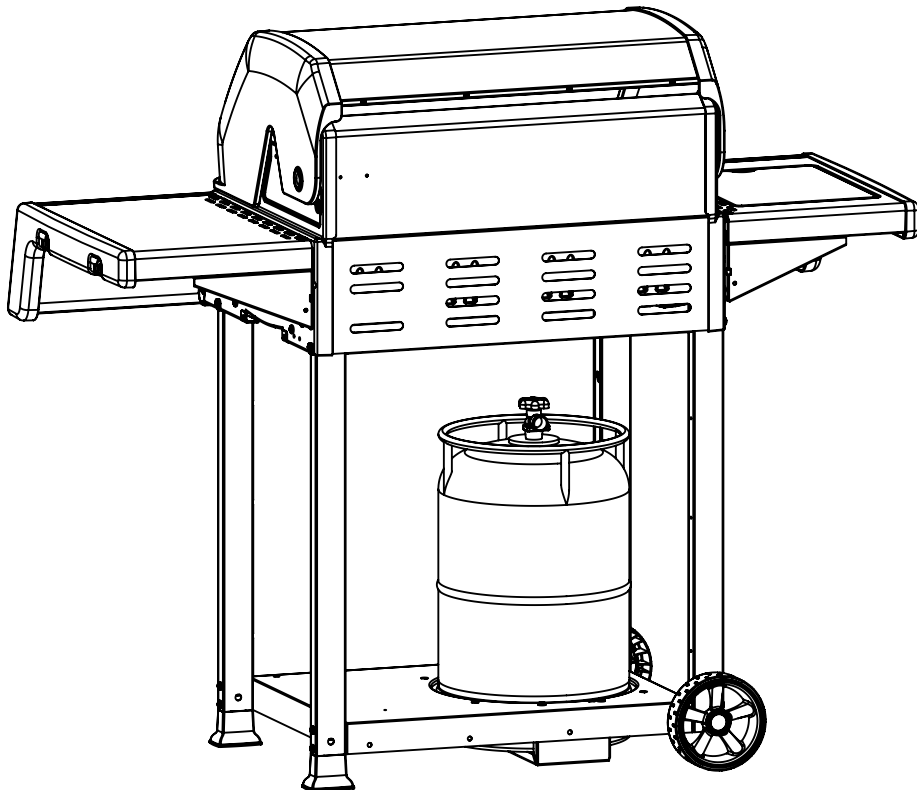




%



&\$



&%

